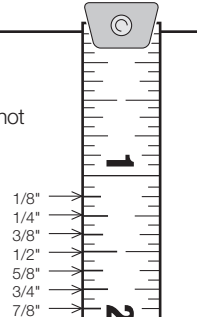


Measuring Guide for Soft Shades

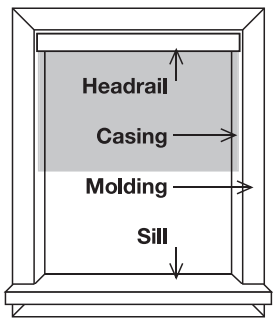
Tools and Tips

- Steel tape measure — do not use cloth tape
- Pencil
- Round measurements to the nearest 1/8"

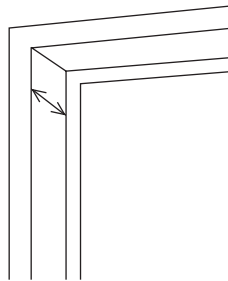


Choose a Mount Type: Inside Mount or Outside Mount

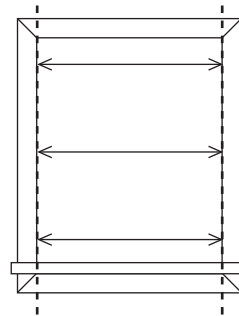
Inside Mount Window treatments are installed inside the window casing.



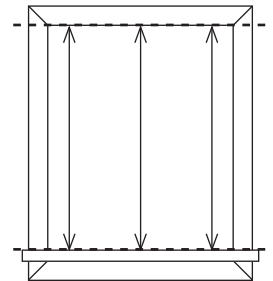
Inside Mount Blind



Depth



Width

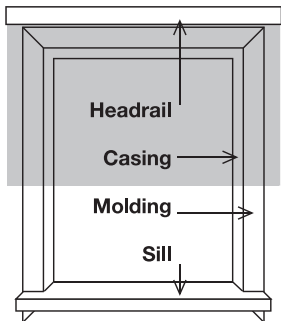


Length

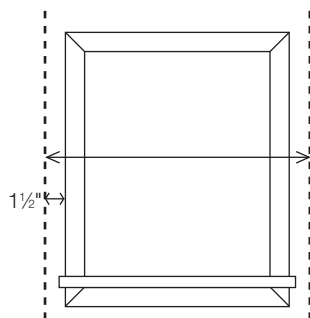
- 1 **Measure Depth:** See chart on the next page to determine if window casing has enough depth for an inside-mount window treatment.
- 2 **Measure Width:** Measure the inside width of window casing in three places. Record narrowest measurement.
- 3 **Measure Length:** Measure the inside length from the top of window casing to top of the sill in three places. Record longest measurement.

Note: Do not take any deductions for clearance. The manufacturer will take necessary deductions for a perfect fit.

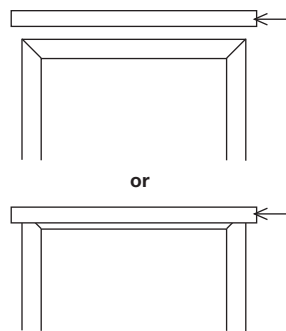
Outside Mount Window treatments are installed outside the window casing.



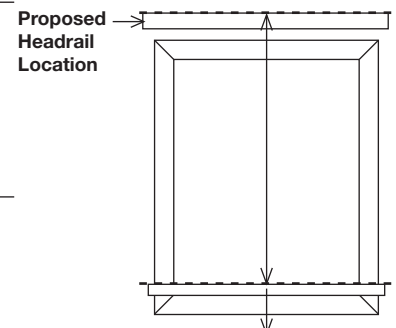
Outside Mount Blind



Width



Headrail Location



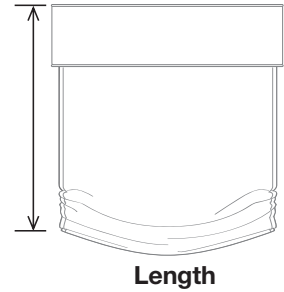
Height

- 1 **Determine Headrail Location:** Window treatments are installed outside the window casing.
- 2 **Measure Width:** Using a steel tape measure, measure exact width to be covered. We recommend 1 1/2" overlap on each side of the window (3" total) for optimum light control and privacy. Record measurement.
- 3 **Measure Length:** Measure exact length to be covered including desired overlap (typically from 1" above the molding to bottom of sill or apron). Record measurement.

Note: The manufacturer makes no deductions on outside-mount installations.

Relaxed and Balloon Pleated Shade

- 1 The Relaxed and the Balloon Shades tend to "toe-in" at the bottom. Inside Mounts or Multiple Shades on One Headrail are not recommended.
- 2 The Length of a Relaxed or Balloon Shade is measured to the Short Point on the bottom edge.



Mounting Considerations

Depth Requirements

| Tailored Shades Control Type | Depth needed for Flush Mount* | Minimum depth needed for Inside Mount |
|------------------------------|---------------------------------|---------------------------------------|
| Standard Cord Control | 2 ³ / ₈ " | 3 ³ / ₄ " |
| Continuous-loop Lift | 3 ¹ / ₈ " | |
| Cordless | | |
| Motorized Lift | | |

*Flush mount includes headrail and fabric and is approximate.
This can vary by fabric.