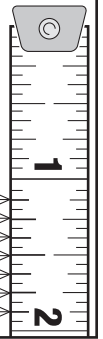


Measuring Guide for Vertical Blinds

Tools and Tips

- Steel tape measure — do not use cloth measuring tape
- Pencil
- Measurement Worksheet – see page 3
- Measure each window and identify window locations – size variances are common
- Round measurements to the nearest 1/8"
- Clearly record measurements – width vs. height

1/8"
1/4"
3/8"
1/2"
5/8"
3/4"
7/8"

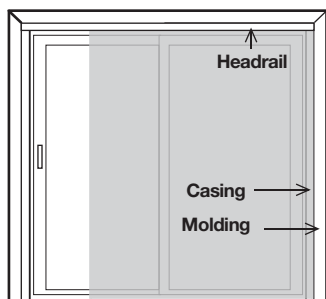


Choose a Mount Type: Inside Mount or Outside Mount

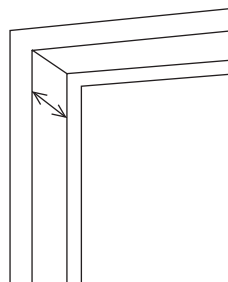
(See next page if you need help deciding which mount is best for your windows.)

Inside Mount

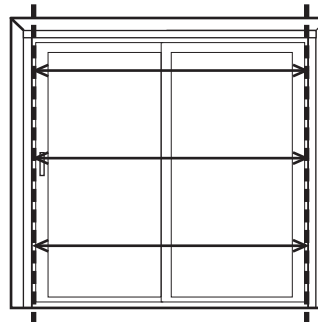
Window treatments are installed inside the window casing.



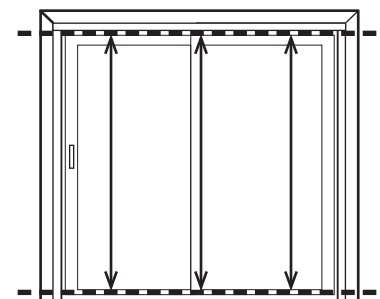
Inside Mount Blind



Depth



Width



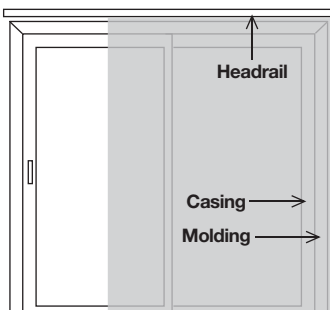
Height

- 1 **Measure Depth:** See chart on next page to determine if window casing has enough depth for an inside-mount window treatment.
- 2 **Measure Width:** Measure the inside width of window casing in three places. Record narrowest measurement.
- 3 **Measure Height:** Measure the inside height from the top of window casing to top of sill (or to the floor for patio doors) in three places. Record shortest measurement.

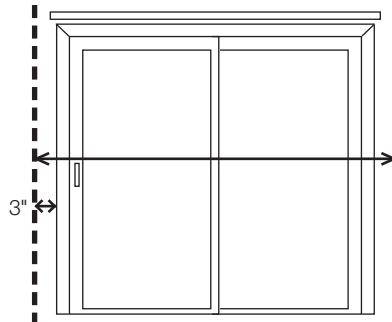
Note: Do not take any deductions for clearance. The manufacturer will take necessary deductions for a perfect fit.

Outside Mount

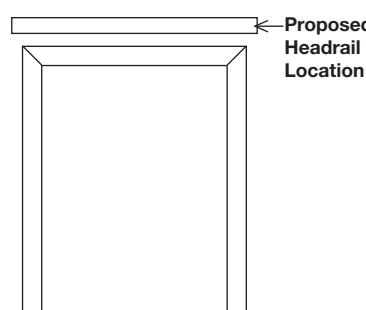
Window treatments are installed outside the window casing. Mount directly to wall or molding.



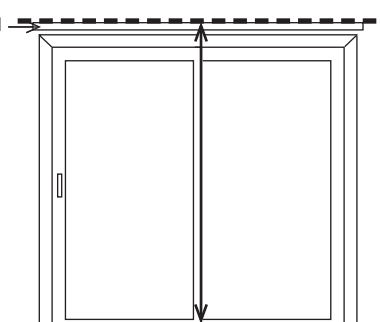
Outside Mount Blind



Width



Headrail Location



Height

- 1 **Measure Width:** Measure width of window. We recommend 3" on each side (6" total overlap) for optimum light control and privacy. If you want the entire window uncovered when the blind is fully open, you may need to add more than the recommended 6".
- 2 **Determine Headrail Location:** Determine headrail mounting position and mark the spot.
- 3 **Measure Height:** Measure height to be covered from top of headrail location to bottom edge or top of bottom sill if there is one. Record the measurement. Allow 3" for adequate mounting area above the window. If blind extends to the floor (i.e. to cover a patio door), measure height from the headrail to the floor, and deduct 1/2" for clearance in order for the vanes to clear the floor.

Note: The manufacturer makes NO deductions on outside-mount installations.

Mounting Considerations

Reason for Choosing Inside Mount

Clean Look

- Inside-mount treatments are installed inside the window casing, showcasing attractive window molding.
- The window opening frames the treatment for a finished, clean appearance.

Allows Sill Space on Deep Windows

- In some deep-set windows, the window treatment can be installed to allow plants or other items to be placed in front of the window treatment on the sill.

Limitations of Inside Mount

Light Gaps

- A small deduction in the width and/or length is taken at the manufacturer to allow for proper operating clearance. This may cause a small gap on each side of the treatment, affecting the treatment's ability to darken a room.

Obstructed View

- The stack (compressed portion of the window treatment when fully opened) will obstruct part of the view from the window. The amount of stack varies by product.

Architectural Obstacles

- Obstacles such as handles and cranks can interfere with the operation of inside-mount treatments.

Reason for Choosing Outside Mount

Improve Privacy and Light Control

- Light gaps on the side of the window treatment can be substantially diminished or eliminated.

Fewer Installation Limitations

- Outside-mount window treatments are ideal for covering non-square windows.
- Outside-mount window treatments can be configured so the louver stack is to the side of the window opening for an unobstructed view when fully opened.

Architectural Obstacles

- Outside-mount window treatments can clear obstacles like handles and cranks.

Enlarge the Look of a Small Window

- Increase overlap above and below or to each side of the window.

Hide Window Trim

- Outside-mount treatments provide an easy way to hide unattractive window trim.

Limitations of Outside Mount

Required Surface Above Window Frame

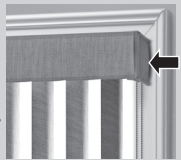
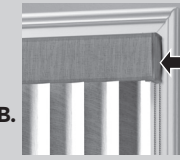

- Outside-mount brackets require at least 2" of flat surface above window for mounting brackets; Projection brackets can be ordered if needed to clear frame or molding.

Inside Mount Window Casing Minimum Depth Requirements

A. Headrail Flush Mount: If the window casing is deep enough to mount the entire headrail inside of it, this is called a headrail flush mount.

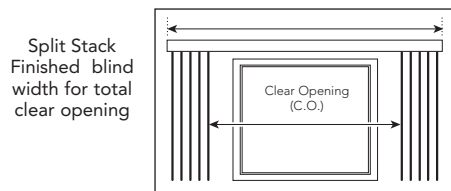
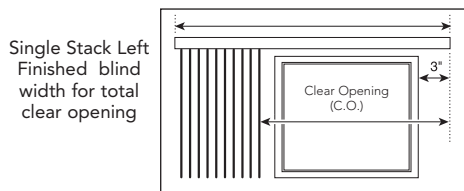
B. Louver Flush Mount: If the window casing is deep enough to mount the louvers flush with the window casing this is called a louver flush mount.

C. Valance Flush Mount: If the window casing is deep enough to mount the valance flush with the window casing this is called a valance flush mount.

				
		Depth needed for Headrail Flush Mount	Depth needed for Louver Flush Mount	Depth needed for Valance Flush Mount
Vertical Blinds	Minimum Depth			
Vertical Blind	2 5/8"	3"	3 3/4"	4 5/8"

1 For maximum view to the outside, refer to the clear opening stack chart. http://www.springswindowfashions.com/SwfShared/pdf/ordering/101834_8.pdf

2 Clear opening (c.o) stack options



3 C.O. = stack is completely outside the window opening

Measuring and Ordering Worksheet

Window #1

_____ (location)

Measuring

For Inside Mount

Depth of window casing: _____

Measure width of window in 3 places and circle the narrowest width below:

Width #1: _____

Width #2: _____

Width #3: _____

Measure height of window in 3 places and circle the shortest height below:

Height #1: _____

Height #2: _____

Height #3: _____

For Outside Mount

Width: _____

Height: _____

Ordering

Mount Type: Inside Outside

Ordering Width: _____

Ordering Height: _____

Type of Blind or Shade: _____

Style Name: _____

Color Number: _____

Controls & Options to consider:

Standard Cord and Chain Control

One Touch® Wand Control

Draw/Stack Position: _____

Cornice: _____

Valance: _____

Other: _____

Window #2

_____ (location)

Measuring

For Inside Mount

Depth of window casing: _____

Measure width of window in 3 places and circle the narrowest width below:

Width #1: _____

Width #2: _____

Width #3: _____

Measure height of window in 3 places and circle the shortest height below:

Height #1: _____

Height #2: _____

Height #3: _____

For Outside Mount

Width: _____

Height: _____

Ordering

Mount Type: Inside Outside

Ordering Width: _____

Ordering Height: _____

Type of Blind or Shade: _____

Style Name: _____

Color Number: _____

Controls & Options to consider:

Standard Cord and Chain Control

One Touch® Wand Control

Draw/Stack Position: _____

Cornice: _____

Valance: _____

Other: _____

Window #3

_____ (location)

Measuring

For Inside Mount

Depth of window casing: _____

Measure width of window in 3 places and circle the narrowest width below:

Width #1: _____

Width #2: _____

Width #3: _____

Measure height of window in 3 places and circle the shortest height below:

Height #1: _____

Height #2: _____

Height #3: _____

For Outside Mount

Width: _____

Height: _____

Ordering

Mount Type: Inside Outside

Ordering Width: _____

Ordering Height: _____

Type of Blind or Shade: _____

Style Name: _____

Color Number: _____

Controls & Options to consider:

Standard Cord and Chain Control

One Touch® Wand Control

Draw/Stack Position: _____

Cornice: _____

Valance: _____

Other: _____