

TASK: Vertical Cellular – Fabric Billowing, Puckering, Bowing

Use If/When: Material billows when stacked to the side.

Tools Needed: 5/64" Allen wrench, 9/64" Allen wrench

Example: Material billowing when stacked.



1. Fully stack the shade to the left side by pressing and holding the button on the right side rail while stacking the material to the left side.

Note: To assist stacking the material, it may require light pressure on the fabric while moving the side rail.



2. Press and hold button on right side rail and walk the side rail to fully open the shade. Press and hold button on the left side rail and walk to the right side to stack the shade to the right. Repeat steps 1 and 2 several times. If material is still billowing, proceed to step 3.



3. Fully stack the shade to the left side by pressing and holding in the button on the right side rail while moving shade to the left.

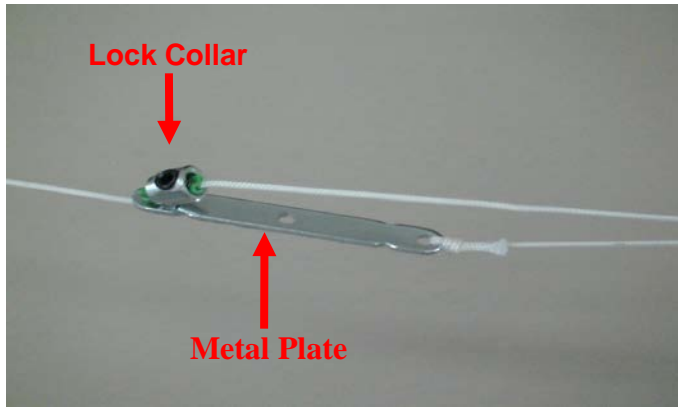


TASK: Vertical Cellular – Fabric Billowing, Puckering, Bowing

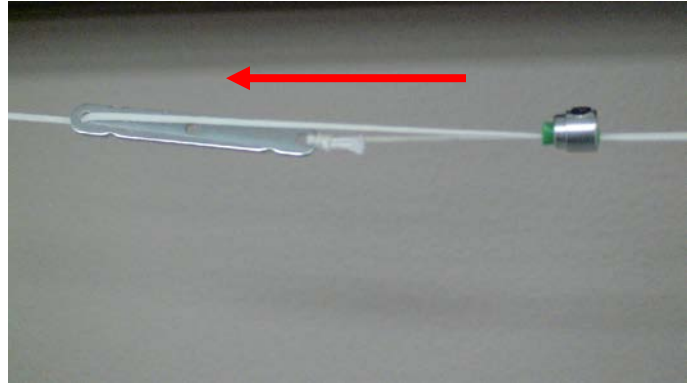
Use If/When: Material billows when stacked to the side.

Tools Needed: 5/64" Allen wrench, 9/64" Allen wrench

4. Locate the metal plates and lock collars inside the headrail. There will be 1 to 3 depending on the height of the shade.



5. Slide the metal plate away from the lock collar approximately 1". Repeat for each cord.



6. Cycle shade by pressing and holding the button on the right side rail and walk to the right to fully open the shade. Press and hold button on the left side rail and walk to the right side to stack the shade to the right. Repeat to stack back to the left and repeat cycle several times.



7. If material is still billowing, repeat steps 5 and 6 until the billowing disappears and proceed to step 8.

Not billowing:



TASK: Vertical Cellular – Fabric Billowing, Puckering, Bowing

Use If/When: Material billows when stacked to the side.

Tools Needed: 5/64" Allen wrench, 9/64" Allen wrench

8. Locate the lock collar and loosen it with a 5/64" allen wrench.



9. Slide lock collar towards the metal plate until it is resting against the free end of the metal plate and tighten the allen screw. The free end of the metal plate is not tied onto the cord. Repeat steps 8 and 9 on each cord.



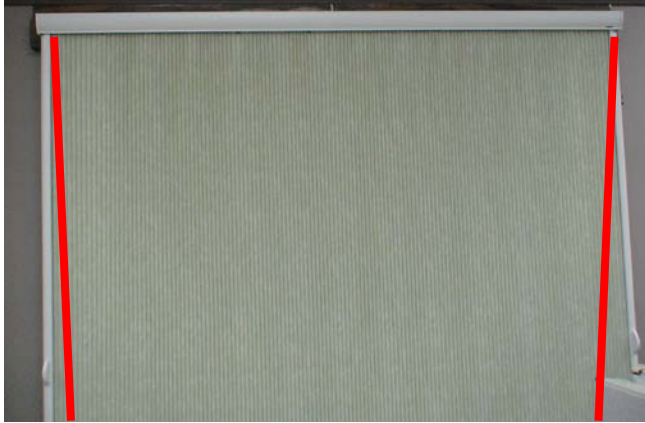
TASK: Vertical Cellular – Fabric Billowing, Puckering, Bowing

Use If/When: Material billows when stacked to the side.

Tools Needed: 5/64" Allen wrench, 9/64" Allen wrench

10. The side rails may move inward or outward when adjusting the tension on the cords. If this occurs, please follow the next steps.

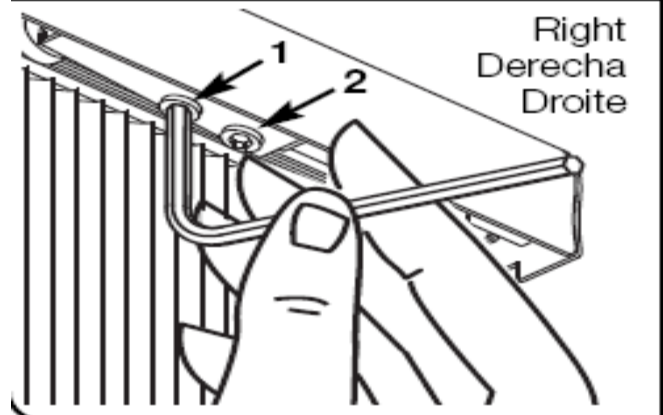
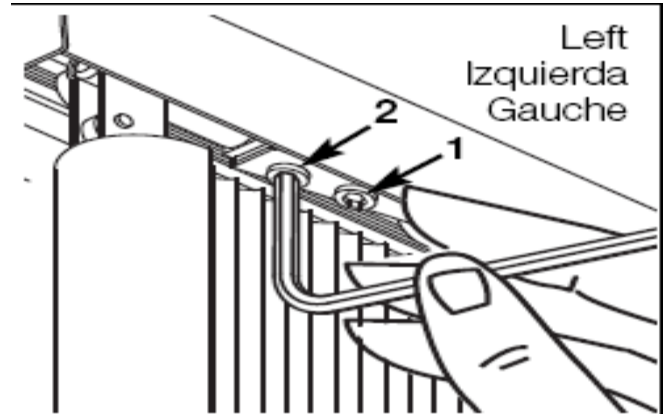
Inward:



Outward:



11. To adjust inward, open shade fully (window covered). With a 9/64" allen wrench, loosen screw #1 (inside screw) one turn and tighten screw #2 (outside screw) on turn. Repeat as needed.



TASK: Vertical Cellular – Fabric Billowing, Puckering, Bowing

Use If/When: Material billows when stacked to the side.

Tools Needed: 5/64" Allen wrench, 9/64" Allen wrench

12. To adjust outward, open shade fully (window covered). With a 9/64" allen wrench, loosen screw #2 (outside screw) one turn and tighten screw #1 (inside screw) one turn. Repeat as needed.

